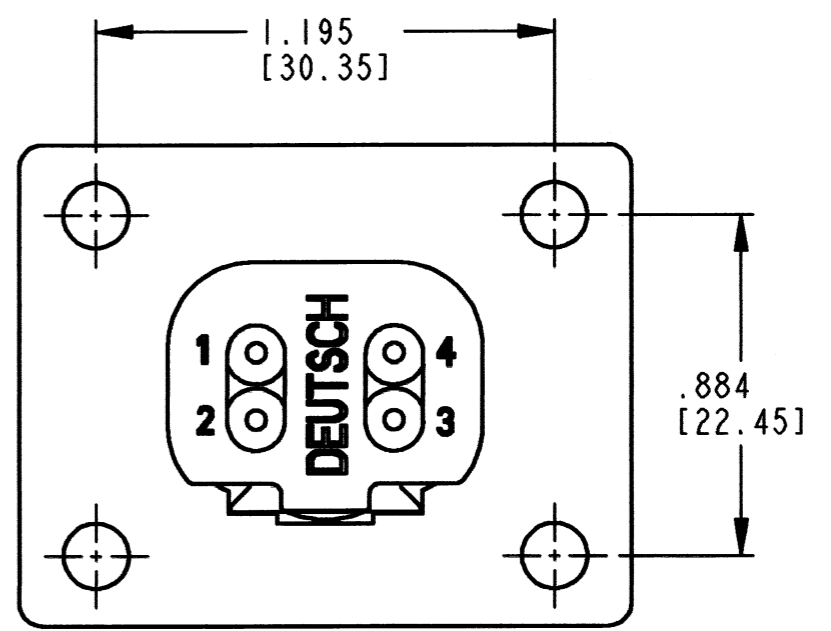
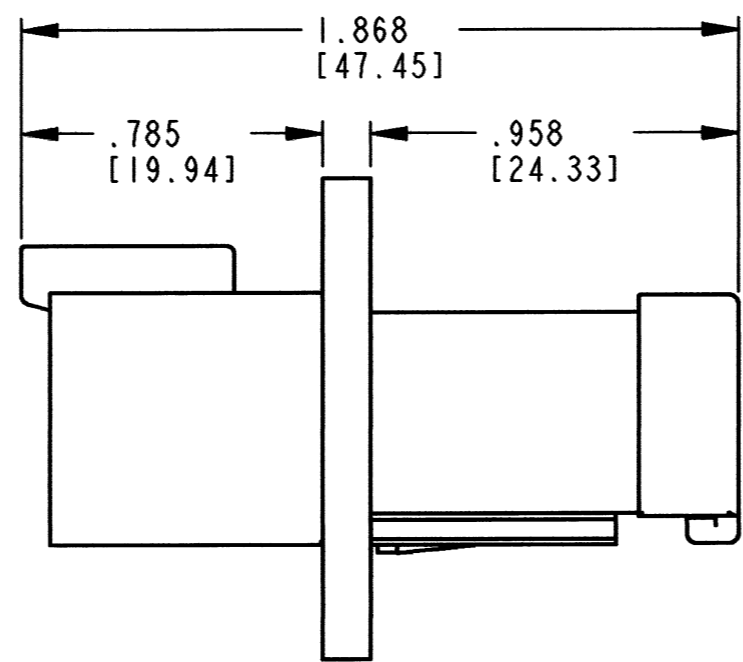
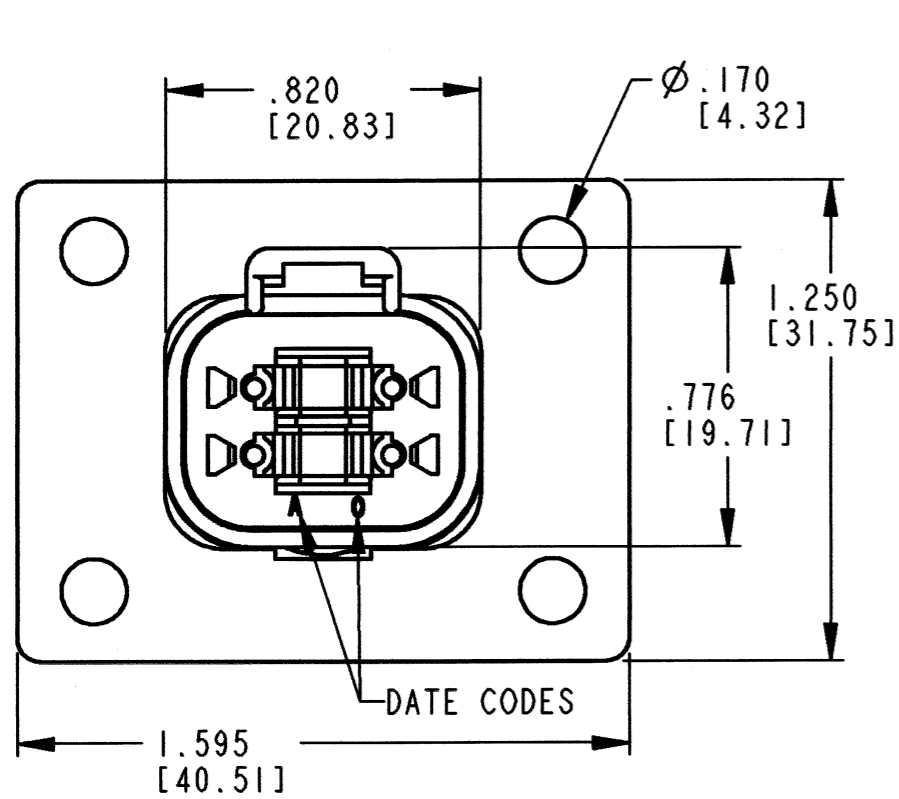


REV
C DT04-4P-LE11

| REVISIONS | | | |
|-----------|-----------------------------|---------|----------|
| SYM | DESCRIPTION | DATE | APPROVED |
| NC | NEW RELEASE PER E.O. P16770 | 7/21/00 | R.D.R. |
| A | REVISED PER E.O. P19497 | 4/27/07 | R.D.R. |
| B | REVISED PER E.O. P20483 | 5/28/10 | R.D.R. |
| C | REVISED PER E.O. P20683 | 12-6-10 | ADR |

| CONTACT SIZE | MIN. INSUL. O.D. | MAX. INSUL. O.D. | WIRE RANGE [mm ²] |
|--------------|------------------|------------------|-------------------------------|
| 16 | .088 [2.23] | .145 [3.68] | 14-20 AWG [2.0-0.5] |



-DATE CODE-
 MONTH IS REPRESENTED BY SEQUENTIAL ALPHA CHARACTERS.
 EX: A = JANUARY
 YEAR IS REPRESENTED BY LAST DIGIT. EX. 0 = 2010

- NOTES:
- DIMENSIONS ARE IN INCHES [MILLIMETERS].
 - DIMENSIONS ARE $\pm .025$ [0.63] UNLESS OTHERWISE SPECIFIED.
 - FOR CONTACTS AND WIRE PERFORMANCE AND APPLICATION CHARACTERISTICS SEE ENVELOPE DRAWING 0425-015-0000 AND 0425-017-0000.
 - THIS RECEPTACLE MATES WITH DT06-4S-**** (**** = ALL MODIFICATIONS.) CONSULT FACTORY FOR MODIFICATIONS.
 - MATERIAL - SHELL: PLASTIC; SEAL: RUBBER

| SIGNATURE & DATE | |
|------------------|------------------------------|
| DR | T. YOHANNES 7/17/00 |
| CHK | <i>[Signature]</i> 12/6/2010 |
| PE | R. Messinger (12/21/10) |
| APPD | <i>[Signature]</i> 12-1-10 |
| SCALE | NONE WT |

4 WAY RECEPTACLE W/FLANGE AND WELD CAP
COLOR: BLACK
DT SERIES

ENVELOPE

| | |
|---|-----------------------|
| EP | MATL. CODE |
| 3850 INDUSTRIAL AVE. HEMET, CA 92545 | |
| B | DT04-4P-LE11 |
| DWG SIZE | CODE 11139 SHEET OF |